

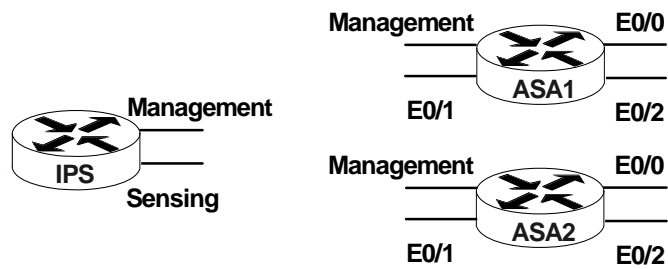
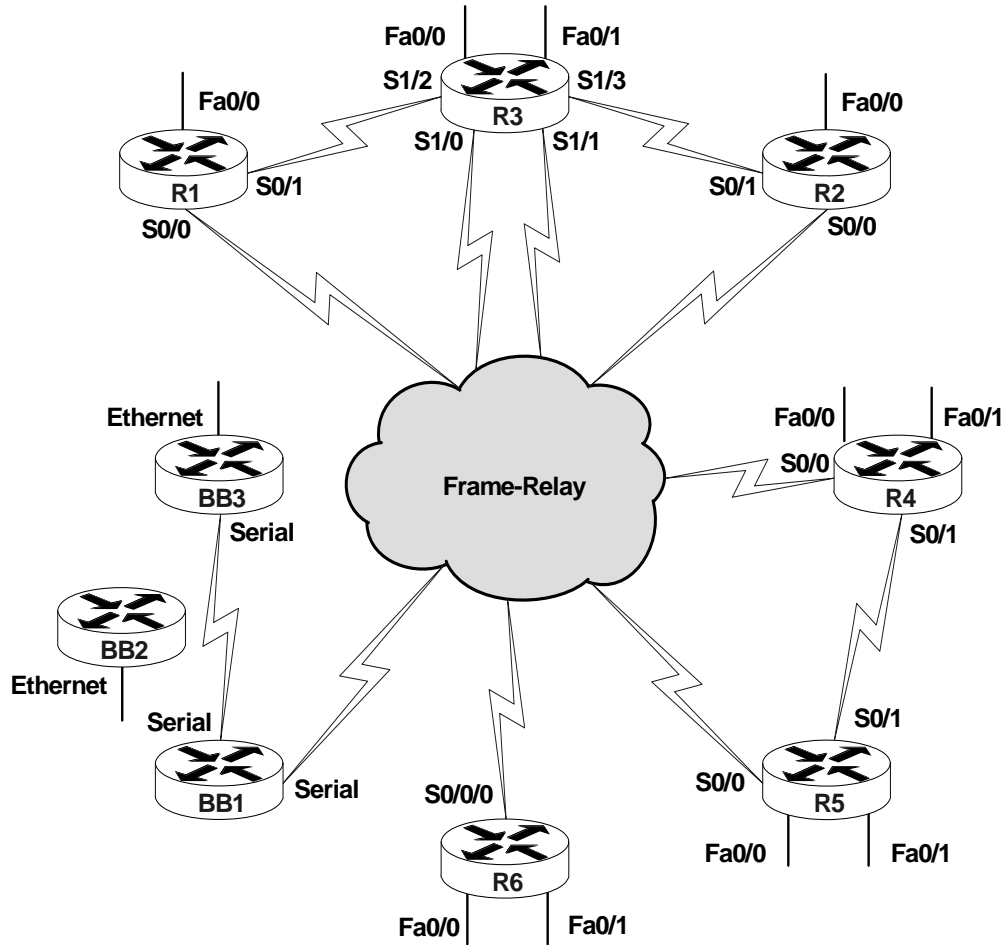
## IOS Versions

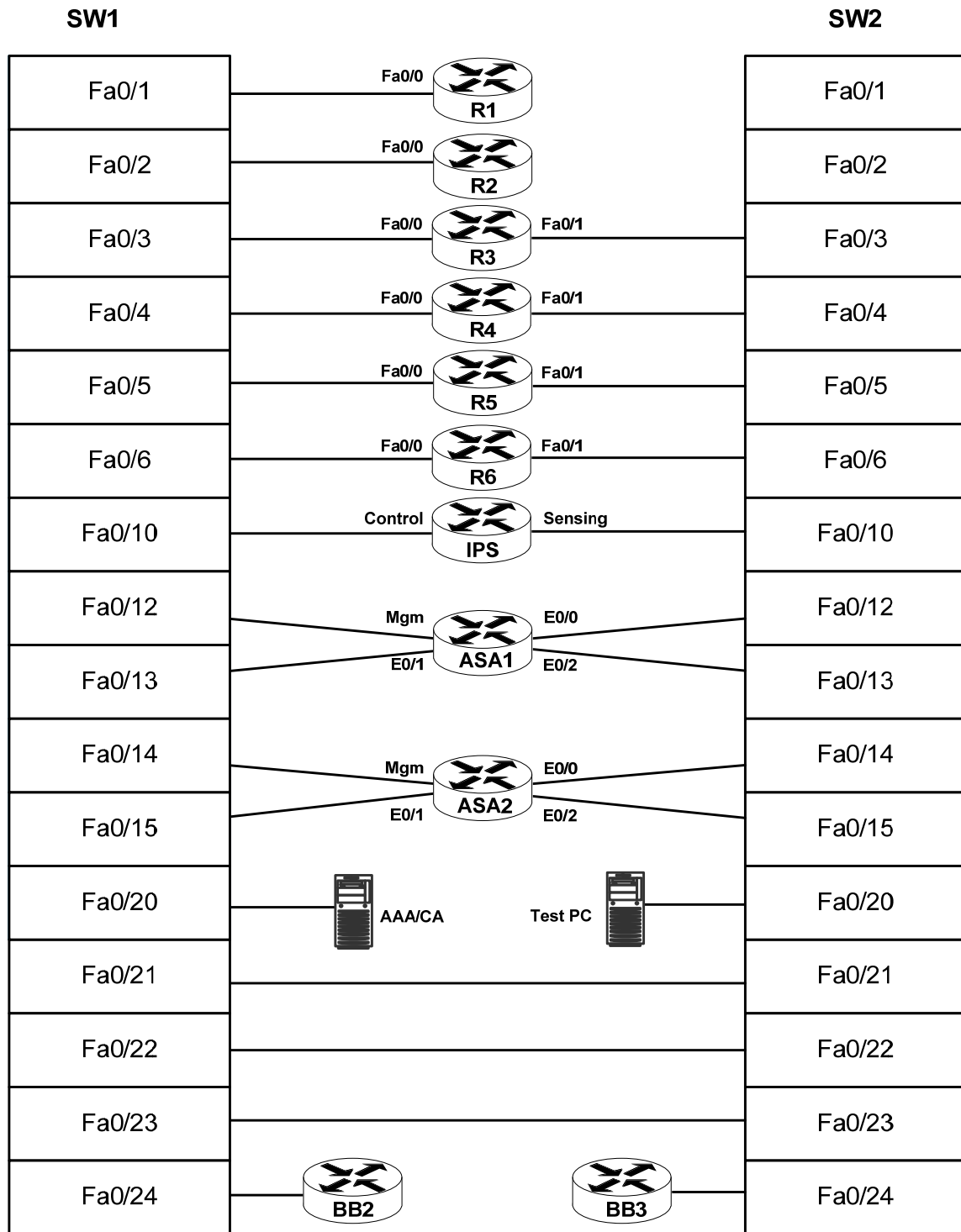
Device	Version	Feature Set	Interfaces
R1	12.4(15)T	ADV. SECURITY	1 - FastEthernet 2 - Serial
R2	12.4(15)T	ADV. SECURITY	1 - FastEthernet 2 - Serial
R3	12.4(15)T	ADV. SECURITY	2 - FastEthernet 4 - Serial
R4	12.4(15)T	ADV. SECURITY	2 - FastEthernet 2 - Serial
R5	12.4(15)T	ADV. SECURITY	2 - FastEthernet 2 - Serial
R6	12.4(24)T	ADV. ENT. SERVICES	2 - FastEthernet 1 - Serial
SW1	12.2(50)SE	IP SERVICES	24 - FastEthernet
SW2	12.2(50)SE	IP SERVICES	24 - FastEthernet
IPS	6.0(5)E2	N/A	2 - GigabitEthernet
ASA1	8.0(4)	N/A	4 - Ethernet
ASA2	8.0(4)	N/A	4 - Ethernet
BB1	12.2(15)T17	IP PLUS	8 - Serial
BB2	12.2(15)T17	IP PLUS	1 - Ethernet
BB3	12.2(15)T17	IP PLUS	1 - Serial 1 - Ethernet

## Hardware Specifications

Device	Platform	Flash/DRAM	Modules
R1	2611XM	32/128	2x WIC-1T
R2	2611XM	32/128	2x WIC-1T
R3	2611XM	32/128	1x NM-4A/S
R4	2611XM	32/128	2x WIC-1T
R5	2611XM	32/128	2x WIC-1T
R6	2811	64/256	1x WIC-1T
SW1	3550-24/3560-24	Default	
SW2	3550-24/3560-24	Default	
IPS	4235/4240	Default	
ASA1	5510	Default	
ASA2	5510	Default	
BB1	2522	16/16	
BB2	2501	16/16	
BB3	2501	16/16	

# Lab Physical Cabling





## Lab Physical Interface Connections

Frame Relay Switch Configuration					
Local Router	Local Interface	Local DLCI	Remote Router	Remote Interface	Remote DLCI
R1	S0/0	102	R2	S0/0	201
R1	S0/0	103	R3	S1/0	301
R1	S0/0	113	R3	S1/1	311
R1	S0/0	104	R4	S0/0	401
R1	S0/0	105	R5	S0/0	501
R2	S0/0	202	R1	S0/0	102
R2	S0/0	203	R3	S1/0	302
R2	S0/0	213	R3	S1/1	312
R2	S0/0	204	R4	S0/0	402
R2	S0/0	205	R5	S0/0	502
R3	S1/0	301	R1	S0/0	103
R3	S1/0	302	R2	S0/0	203
R3	S1/0	304	R4	S0/0	403
R3	S1/0	305	R5	S0/0	503
R3	S1/1	311	R1	S0/0	113
R3	S1/1	312	R2	S0/0	213
R3	S1/1	314	R4	S0/0	413
R3	S1/1	315	R5	S0/0	513
R4	S0/0	401	R1	S0/0	104
R4	S0/0	402	R2	S0/0	204
R4	S0/0	403	R3	S1/0	304
R4	S0/0	413	R3	S1/1	314
R4	S0/0	405	R5	S0/0	504
R5	S0/0	501	R1	S0/0	105
R5	S0/0	502	R2	S0/0	205
R5	S0/0	503	R3	S1/0	305
R5	S0/0	513	R3	S1/1	315
R5	S0/0/0	504	R4	S0/0	405
R6	S0/0/0	51	BB1	S0	51
R6	S0/0/0	100	BB1	S0	100
R6	S0/0/0	101	BB1	S0	101
R6	S0/0/0	201	BB1	S0	201
R6	S0/0/0	301	BB1	S0	301
R6	S0/0/0	401	BB1	S0	401

Ethernet Connections			
Local Device	Local Interface	Remote Device	Remote Interface
R1	Fa0/0	SW1	Fa0/1
R2	Fa0/0	SW1	Fa0/2
R3	Fa0/0	SW1	Fa0/3
R3	Fa0/1	SW2	Fa0/3
R4	Fa0/0	SW1	Fa0/4
R4	Fa0/1	SW2	Fa0/4
R5	Fa0/0	SW1	Fa0/5
R5	Fa0/1	SW2	Fa0/5
R6	Fa0/0	SW1	Fa0/6
R6	Fa0/1	SW2	Fa0/6
IPS	C&C	SW1	Fa0/10
IPS	Sensing	SW2	Fa0/10
ASA1	Mgmt	SW1	Fa0/12
ASA1	E0/1	SW1	Fa0/13
ASA1	E0/0	SW2	Fa0/12
ASA1	E0/2	SW2	Fa0/13
ASA2	Mgmt	SW1	Fa0/14
ASA2	E0/1	SW1	Fa0/15
ASA2	E0/0	SW2	Fa0/14
ASA2	E0/2	SW2	Fa0/15
AAA/CA	Inside	SW1	Fa0/20
Test PC	Inside	SW2	Fa0/20
SW1	Fa0/23	SW2	Fa0/23
BB3	E0	SW1	Fa0/24
BB2	E0	SW2	Fa0/24